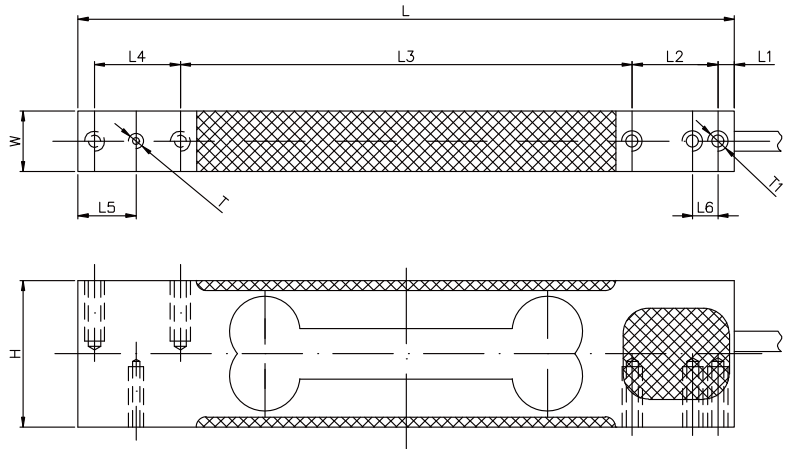
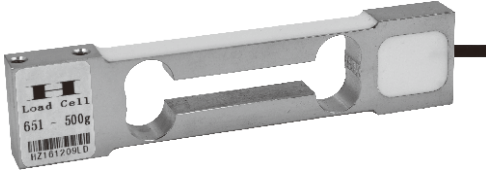


ALUMINUM 铝合金



尺寸 DIMENSIONS

Rate Capacity 量程

	L	L1	L2	L3	L4	L5	L6	W	H	T	T1
kg/mm											
0.5-3	130	3.25	17	89.5	17	11.5	5	12	29	M3深12	M4深12
lb/inches(conversion of above dimensions 由以上尺寸转换)											
0.10-2.20	5.12	0.13	0.67	3.52	0.67	0.45	0.20	0.47	1.14	M3DP0.47	M4DP0.47

技术参数 SPECIFICATIONS

Full Scale Output 灵敏度输出	1.0 ± 20% mV/V	Recommended Excitation 使用电压	10V(15V Maximmm)
Zero Balance 零点输出	± 0.02 mV/V	Reference Max.Platform Size 最大秤台尺寸	120*120mm
Nonlinearity 非线性	< ± 0.017%		
Repeatability 重复性	< ± 0.017%	Insulation Resistance 绝缘阻抗	>2[50V DC]GΩ
Hysteresis Error 滞后	< ± 0.017%	Nominal Temperature Range 工作温度	-10°C to 40°C / 14°F to 104°F
Creep in 30 min 30分钟蠕变	< ± 0.008%	Safe Overload 安全过载	150% of full scale
Creep in 2 min 2分钟蠕变	< ± 0.0033%	Breaking Overload 极限过载	300% of full scale
Input Resistance 输入电阻	405 Ω ± 15	IP Rating 防护等级	IP66
Outpout Resistance 输出电阻	350 Ω ± 3	Cable Color Code 颜色码	Exc(输入)+:Red(红);Exc(输入) -Black(黑);Sig(输出)+Green(绿); Sig(输出)-:Whit白 Shield Bare(屏蔽)
Element Materia 材质	Aluminum 铝合金		

651

Special Features 特征

- ◆ 常温下, 分度值可高达60,000
- ◆ Up To 60,000 Divisions Short Term Precision At Room Temperature
- ◆ 角差修正
- ◆ Off-center Load Compensated
- ◆ 单点式台面
- ◆ Single Point Platform
- ◆ IP66防护
- ◆ IP66 Protection