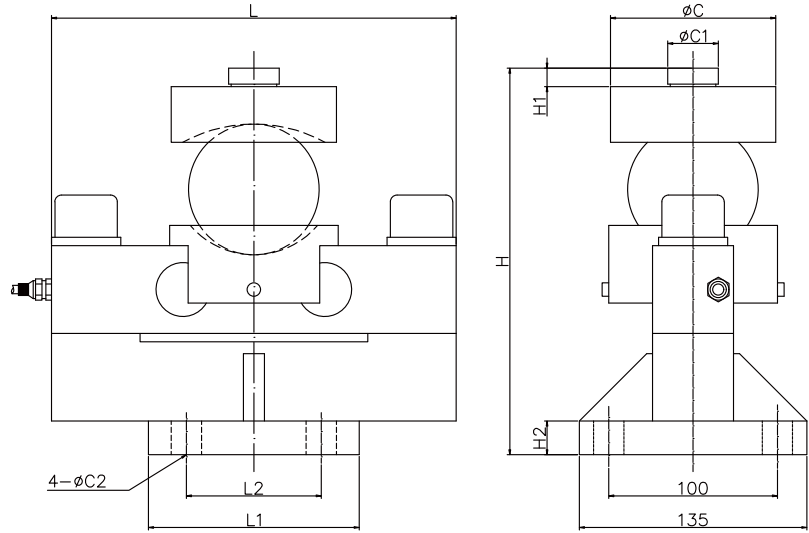
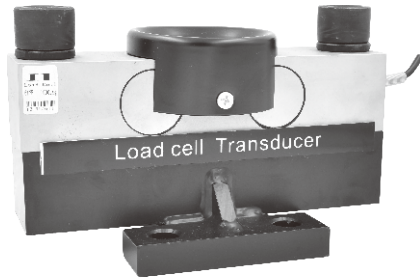


ALLOY STEEL / STAINLESS STEEL
合金钢/不锈钢



桥式称重传感器

尺寸 DIMENSIONS

Rate Capacity 量程	C	C1	C2	L	L1	L2	W	W1	H	H1	H2
t/mm											
10;20;30	88	30	18	240	125	80	135	100	229.3	11	20
40;50	97	40	18	340	160	124	160	124	258.7	11	30
klb/inches											
22;44;66	3.46	1.18	0.71	9.45	5.98	3.15	5.31	3.94	9.03	0.43	0.78
88;110	3.82	1.57	0.71	13.38	6.30	4.88	6.30	4.88	10.18	0.43	1.18

技术参数 SPECIFICATIONS

Full Scale Output 灵敏度输出	2.0 ± 0.1% mV/V	Recommended Excitation 使用电压	10V(15V Maximmm)
Zero Balance 零点输出	± 0.002mV/V	Insulation Resistance 绝缘阻抗	>2[50V DC]GΩ
Nonlinearity 非线性	< ± 0.03%	Nominal Temperature Range 工作温度	-10°C to 40°C / 14 F to 104 F
Repeatability 重复性	< ± 0.03%		
Hysteresis Error 滞后	< ± 0.03%	Safe Overload 安全过载	150% of full scale
Creep in 30 min 30分钟蠕变	< ± 0.05%	Breaking Overload 极限过载	300% of full scale
Input Resistance 输入电阻	775Ω ± 5	IP Rating 防护等级	IP67/IP68
Output Resistance 输出电阻	702Ω ± 2	Cable Color Code 颜色码	Exc(输入)+:Red(红);Exc(输入) -Black(黑);Sig(输出)+Green(绿); Sig(输出)-:Whit白 Shield Bare(屏蔽)
Element Materia 材质	Alloy steel/Stainless steel 合金钢/不锈钢		

612B

Special Features 特征

- ◆ 符合OIML认证指标
- ◆ Comply with OIML C3
- ◆ 易于安装，性能稳定
- ◆ Easy installation reliable performance
- ◆ 防爆级(Ex ib II CT4)
- ◆ Explosion proof version (Ex ib II CT4)
- ◆ 合金钢
- ◆ Alloy steel