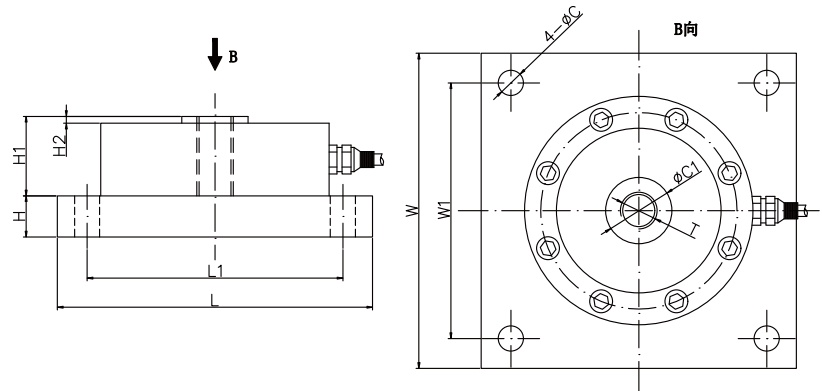


ALLOY STEEL / STAINLESS STEEL  
合金钢/不锈钢



## 尺寸 DIMENSIONS

### Rate Capacity

量程	C	C1	L	L1	W	W1	H	H1	H2	T
t/mm										
0.5-3	11	29	130	112	130	112	18	34.8	3	M16X2
5;10	13	39	160	130	160	130	20	47.8	6.4	M32X2
20;30	18	50.4	170	133	170	133	25	57.2	6.4	M39X3
klb/inches(conversion of above dimensions 由以上尺寸转换)										
1.10-6.61	1.14	0.4	5.12	4.41	5.12	4.01	0.71	1.37	0.12	M16X2
11.02-22.04	0.52	1.53	6.30	5.12	6.30	5.12	0.79	1.88	2.52	M32X2
44.09-66.12	0.71	1.98	6.70	5.24	6.70	5.33	0.98	7.25	2.52	M39X3

## 技术参数 SPECIFICATIONS

Full Scale Output 灵敏度输出	2.0 ± 0.1% mV/V	Recommended Excitation 使用电压	10V(15V Maximmm)
Zero Balance 零点输出	± 0.04 mV/V	Insulation Resistance 绝缘阻抗	>2[50V DC]G Ω
Nonlinearity 非线性	< ± 0.03%	Nominal Temperature Range 工作温度	-10°C to 40°C / 14°F to 104°F
Repeatability 重复性	< ± 0.03%		
Hysteresis Error 滞后	< ± 0.03%	Safe Overload 安全过载	150% of full scale
Creep in 30 min 30分钟蠕变	< ± 0.05%	Breaking Overload 极限过载	300% of full scale
Input Resistance 输入电阻	775 Ω ± 5	IP Rating 防护等级	IP67/IP68
Outnput Resistance 输出电阻	702 Ω ± 2	Cable Color Code 颜色码	Exc(输入)+:Red(红);Exc(输入) -Black(黑);Sig(输出)+Green(绿); Sig(输出)-:Whit白 Shield Bare(屏蔽)
Element Materia 材质	Alloy steel/Stainless steel 合金钢/不锈钢		

## 656C

### Special Features 特征

- ◆ 以OIML R60 C3为标准, 分度值达1000
- ◆ 尺寸小, 拉压两用型
- ◆ 偏载小, 结构紧凑, 适合户外称重
- ◆ 高兼容动态称重
- ◆ Ip67防护
- ◆ 可选: -耐温120°C[248° F],防雷 -6线制 -不锈钢

- ◆ Suitable for scales according to OIML R60 up to 1000d
- ◆ Low profile; suitable for tension and compression using
- ◆ Small deflection, the compact construction is suitable for withstanding extraneous load
- ◆ High permissible dynamic load
- ◆ Protection to Ip67
- ◆ Available Options: -Service temperature range up to 120°C[248° F], Lightning proof -6- wire circuit -Stainless Steel(IP68)