

ALLOY STEEL / STAINLESS STEEL
合金钢/不锈钢



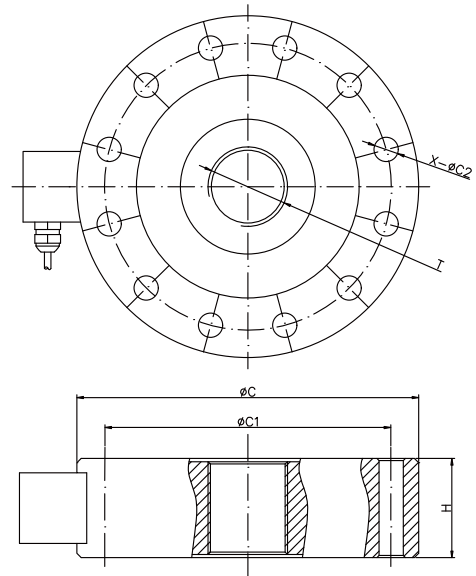
尺寸 DIMENSIONS

Rate Capacity 量程

	C	C1	X	C2	H	T
t/mm	113	97	8	7	35	M24 × 2
1-5	155	130	12	11	45	M36 × 2
10-20	180	150	12	13	58	M42 × 2
30	205	165	16	13	64	M42 × 2
50	280	228	25.4	17	90	M70 × 3
100	296	256	38.1	22	120	M90 × 3
200	346	282	50.8	26	180	M120 × 3
300						

klb/inches(conversion of above dimensions 由以上尺寸转换)

2.2-11.02	4.45	3.82	0.31	0.28	1.38	M24 × 2
22.04;44.09	6.10	5.12	0.47	0.51	2.28	M36 × 2
66.1	7.09	5.90	0.47	0.51	2.28	M42 × 2
110.2	8.07	6.50	0.63	0.51	2.52	M42 × 2
220.5	11.02	8.98	1.00	0.67	3.54	M70 × 3
440.9	11.6	10.08	1.50	0.87	4.72	M90 × 3
661.4	13.62	11.10	2.00	1.02	7.09	M120 × 3



技术参数 SPECIFICATIONS

Full Scale Output 灵敏度输出	2.0 ± 1% mV/V	Recommended Excitation 使用电压	10V(15V Maximmm)
Zero Balance 零点输出	± 0.04 mV/V	Insulation Resistance 绝缘阻抗	>2[50V DC]G Ω
Nonlinearity 非线性	< ± 0.05%	Nominal Temperature Range 工作温度	-10°C to 40°C / 14°F to 104°F
Repeatability 重复性	< ± 0.3%		
Hysteresis Error 滞后	< ± 0.05%	Safe Overload 安全过载	150% of full scale
Creep in 30 min 30分钟蠕变	< ± 0.05%	Breaking Overload 极限过载	300% of full scale
Input Resistance 输入电阻	770 Ω ± 30	IP Rating 防护等级	IP67
Output Resistance 输出电阻	700 Ω ± 5	Cable Color Code 颜色码	Exc(输入)+:Red(红);Exc(输入) -Black(黑);Sig(输出)+Green(绿); Sig(输出)-:Whit白 Shield Bare(屏蔽)
Element Materia 材质	Alloy steel/Stainless steel 合金钢/不锈钢		

656A

Special Features 特征

- ◆ 以OIML R60 C3为标准, 分度值达1000
- ◆ 尺寸小, 拉压两用型
- ◆ 偏载小, 结构紧凑, 适合户外称重
- ◆ 高兼容动态称重
- ◆ Ip67防护
- ◆ 可选: -耐温120°C[248° F], 防雷 -6线制 -不锈钢
- ◆ Suitable for scales according to OIML R60 up to 1000d
- ◆ Low profile; suitable for tension and compression using
- ◆ Small deflection, the compact construction is suitable for withstanding extraneous load
- ◆ High permissible dynamic load
- ◆ Protection to Ip67
- ◆ Available Options: -Service temperature range up to 120°C[248° F], Lightning proof -6- wire circuit -Stainless Steel(IP68)