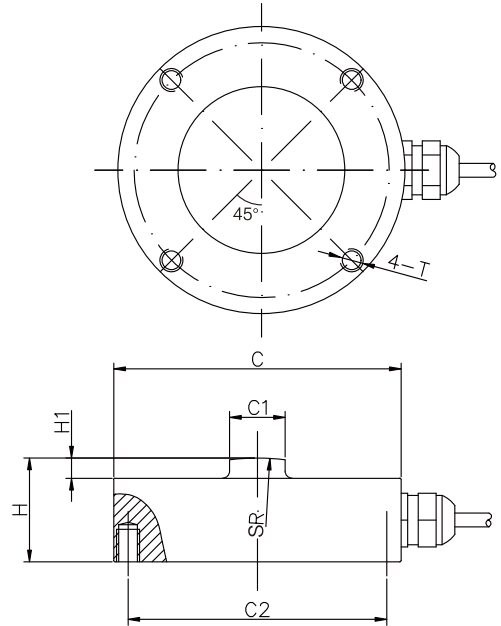


ALLOY STEEL / STAINLESS STEEL 合金钢/不锈钢



尺寸 DIMENSIONS

Rate Capacity 量程	C	C1	C2	SR	H	H1	T1
kg/mm							
25-50	62	12	55	50	22	4	M5深7
40CrNiMoA							
100-2000	62	12	55	50	22	4	M5深7
5000	98	20	72	150	40	5	M6深13
10000	98	20	72	150	45	5	M6深13
20000	118	25	90	250	50	7	M8深15
lb/inches(conversion of above dimensions 由以上尺寸转换)							
55-110	2.44	0.47	2.16	1.97	0.87	0.16	M5DP0.27
220-440	2.44	0.47	2.16	1.97	0.87	0.16	M5DP0.27
11022	3.86	0.79	2.8	2.0	1.57	0.20	M6DP0.51
22045	3.86	0.79	2.83	5.91	1.77	0.20	M6DP0.51
44092	4.65	0.98	3.54	9.84	1.97	0.28	M8DP0.60

技术参数 SPECIFICATIONS

Full Scale Output 灵敏度输出	$2.0 \pm 10\% \text{mV/V}$	Recommended Excitation 使用电压	10V(15V Maximmm)
Zero Balance 零点输出	$\pm 0.04 \text{mV/V}$	Insulation Resistance 绝缘阻抗	$>2[50\text{V DC}] \text{G}\Omega$
Nonlinearity 非线性	$< \pm 0.05\%$	Nominal Temperature Range 工作温度	-10°C to 40°C / 14°F to 104°F
Repeatability 重复性	$< \pm 0.3\%$		
Hysteresis Error 滞后	$< \pm 0.05\%$	Safe Overload 安全过载	150% of full scale
Creep in 30 min 30分钟蠕变	$< \pm 0.1\%$	Breaking Overload 极限过载	300% of full scale
Input Resistance 输入电阻	$400\Omega \pm 25$	IP Rating 防护等级	IP67
Outnput Resistance 输出电阻	$350\Omega \pm 3$	Cable Color Code 颜色码	Exc(输入)+:Red(红);Exc(输入) -Black(黑);Sig(输出)+Green(绿); Sig(输出)-:Whit(白) Shield Bare(屏蔽)
Element Materia 材质	Alloy steel/Stainless steel 合金钢/不锈钢		

616A

Special Features 特征

- ◆ Ip67防护
- ◆ 防爆级(Ex ib II Ct4)
- ◆ 低外形, 高抗干扰性能
- ◆ 适用于动态称重
- ◆ Protection to Ip67
- ◆ Explosion proof version (Ex ib II Ct4)
- ◆ Low profile, high anti-interface
- ◆ Suitable for motion weighing