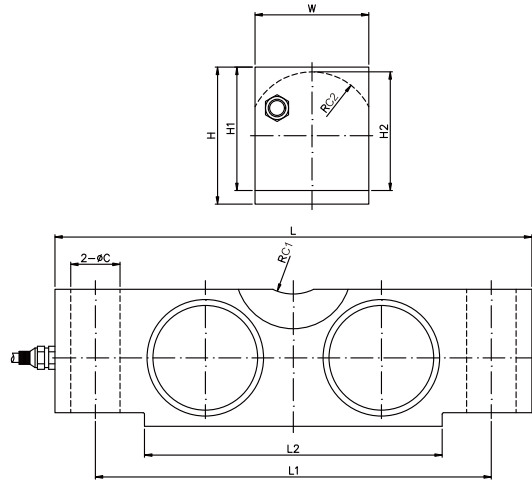
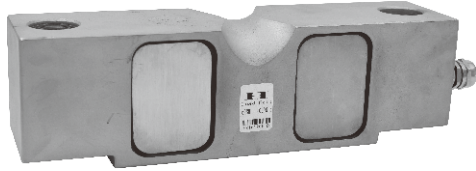


ALLOY STEEL / STAINLESS STEEL
合金钢/不锈钢



桥式称重传感器

尺寸 DIMENSIONS

Rate Capacity 量程	C	C1	C2	L	L1	L2	W	H	H1	H2
t/mm										
22.05-55.1	17.3	19.1	22.9	196.9	165.1	125.1	42.9	49.3	43.2	40.7
88.18-110.2	20.6	25.4	28.5	260.4	215.9	162.4	49.3	62	53.3	49.8
110.23-165.34	27	25.4	34.8	260.4	215.9	162.4	60.2	74.7	67.3	62.3
klb/inches(conversion of above dimensions 由以上尺寸转换)										
10-25	0.68	0.75	0.90	7.75	6.50	4.92	1.69	1.94	1.70	1.60
40	0.81	1.00	1.12	10.25	8.50	6.40	1.94	2.44	2.10	1.96
50-75	1.06	1.00	1.37	10.25	8.50	6.40	2.37	2.94	2.65	2.45

技术参数 SPECIFICATIONS

Full Scale Output 灵敏度输出	$2.0 \pm 0.1\% \text{mV/V}$	Recommended Excitation 使用电压	10V(15V Maximmm)
Zero Balance 零点输出	$\pm 0.04 \text{mV/V}$	Insulation Resistance 绝缘阻抗	$>2[50\text{V DC}] \text{G} \Omega$
Nonlinearity 非线性	$< \pm 0.03\%$	Nominal Temperature Range 工作温度	-10°C to 40°C / 14°F to 104°F
Repeatability 重复性	$< \pm 0.03\%$		
Hysteresis Error 滞后	$< \pm 0.03\%$	Safe Overload 安全过载	150% of full scale
Creep in 30 min 30分钟蠕变	$< \pm 0.05\%$	Breaking Overload 极限过载	300% of full scale
Input Resistance 输入电阻	$775 \Omega \pm 5$	IP Rating 防护等级	IP67/IP68
Outnput Resistance 输出电阻	$702 \Omega \pm 2$	Cable Color Code 颜色码	Exc(输入)+:Red(红);Exc(输入) -Black(黑);Sig(输出)+Green(绿); Sig(输出)-:White Shield Bare(屏蔽)
Element Materia 材质	Alloy steel/Stainless steel 合金钢/不锈钢		

693B

Special Features 特征

- ◆ 符合OIML认证指标
- ◆ 高精度
- ◆ 合金钢
- ◆ 易于安装, 性能稳定
- ◆ 合金钢/不锈钢
- ◆ Comply with OIML C3
- ◆ High accuracy
- ◆ Alloy steel construction
- ◆ Easy installation reliable performance
- ◆ Alloy/Stainless steel available