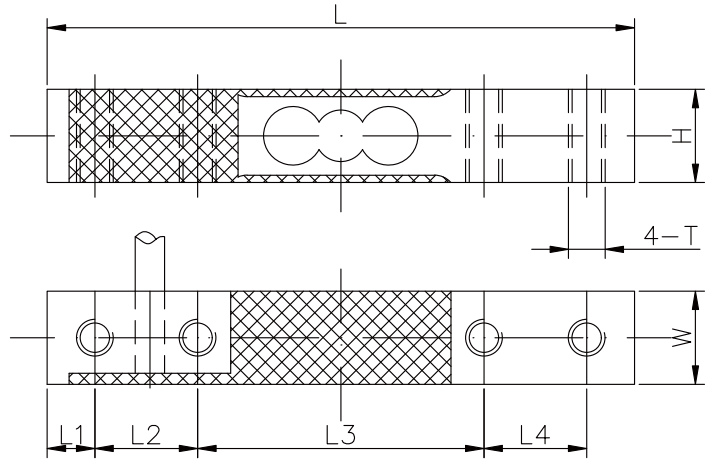
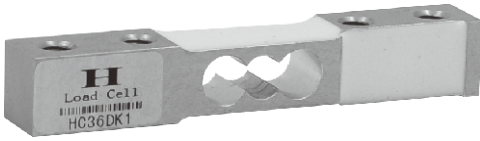


ALUMINUM 铝合金



尺寸 DIMENSIONS

Rate Capacity 量程

	L	L1	L2	L3	L4	W	H	T
kg/mm								
0.3-3	80	6.5	14	39	14	12.7	12.7	M5
lb/inches(conversion of above dimensions 由以上尺寸转换)								
0.66-6.6	3.15	0.26	0.55	1.54	0.55	0.5	0.59	M5

技术参数 SPECIFICATIONS

Full Scale Output 灵敏度输出	$1.5 \pm 10\% \text{mV/V}$	Recommended Excitation 使用电压	10V(15V Maximmm)
Zerc Balance 零点输出	$\pm 0.02 \text{mV/V}$	Reference Max.Platform Size 最大秤台尺寸	Capacity<1Kg:200*200mm
Nonlinearity 非线性	$< \pm 0.017\%$		Capacity<1Kg:230*230mm
Repeatability 重复性	$< \pm 0.017\%$	Insulation Resistance 绝缘阻抗	$> 2[50 \text{V DC}] \text{G} \Omega$
Hysteresis Error 滞后	$< \pm 0.017\%$	Nominal Temperature Range 工作温度	-10°C to 40°C / 14°F to 104°F
Creep in 30 min 30分钟蠕变	$< \pm 0.023\%$	Safe Overload 安全过载	150% of full scale
Input Resistance 输入电阻	$405 \Omega \pm 15$	Breaking Overload 极限过载	300% of full scale
Outnput Resistance 输出电阻	$350 \Omega \pm 5$	IP Rating 防护等级	IP66
Element Materia 材质	Aluminum 铝合金	Cable Color Code 颜色码	Exc(输入)+:Red(红);Exc(输入) -Black(黑);Sig(输出)+Green(绿); Sig(输出)-:Whit白 Shield Bare(屏蔽)

651G

Special Features 特征

- ◆ 常温下, 分度值可高达60,000
- ◆ 角差修正
- ◆ 单点式台面
- ◆ IP66防护
- ◆ 综合误差不超过0.006%
- ◆ Up To 60,000 Divisions Short Term Precision At Room Temperature
- ◆ Off-center Load Compensated
- ◆ Single Point Platorm
- ◆ IP66 Protection
- ◆ Total Error Better Than 0.0060% Rated Output