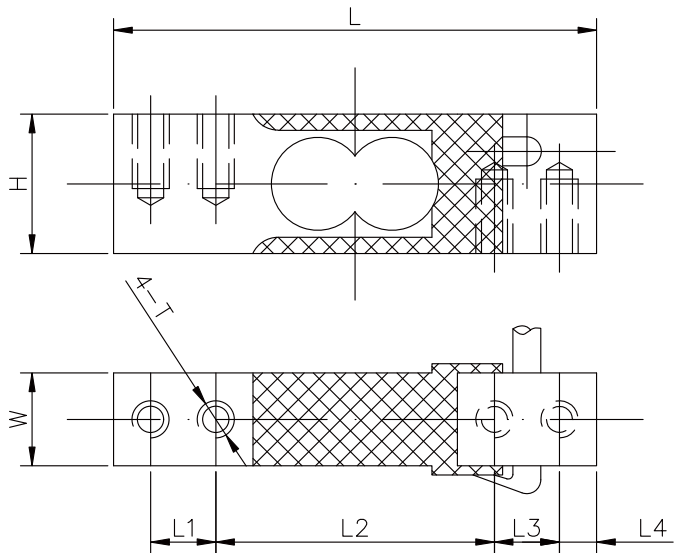
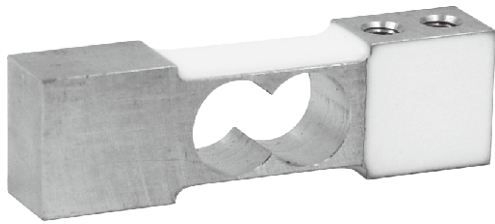


ALUMINUM  
铝合金



## 尺寸 DIMENSIONS

Rate Capacity  
量程

	L	L1	L2	L3	L4	W	H	T
kg/mm								
3-5	52	7	30	7	4	10	15	M4深8
lb/inches(conversion of above dimensions 由以上尺寸转换)								
6.6-11	2.05	0.28	1.18	0.28	0.16	0.39	0.59	M4DP0.31

## 技术参数 SPECIFICATIONS

Full Scale Output 灵敏度输出	$1.0 \pm 20\% \text{mV/V}$	Recommended Excitation 使用电压	10V(15V Maximmm)
Zero Balance 零点输出	$\pm 0.02 \text{mV/V}$	Reference Max.Platform Size 最大秤台尺寸	Capacity<1Kg:200*200mm
Nonlinearity 非线性	$< \pm 0.017\%$		Capacity<1Kg:230*230mm
Repeatability 重复性	$< \pm 0.017\%$	Insulation Resistance 绝缘阻抗	$> 2[50\text{V DC}]G \Omega$
Hysteresis Error 滞后	$< \pm 0.017\%$	Nominal Temperature Range 工作温度	$-10^{\circ}\text{C}$ to $40^{\circ}\text{C}$ / $14^{\circ}\text{F}$ to $104^{\circ}\text{F}$
Creep in 30 min 30分钟蠕变	$< \pm 0.008\%$ $< \pm 0.012\%$	Safe Overload 安全过载	150% of full scale
Creep in 2 min 2分钟蠕变	$< \pm 0.0033\%$ $< \pm 0.005\%$	Breaking Overload 极限过载	300% of full scale
Input Resistance 输入电阻	$415 \Omega \pm 15$	IP Rating 防护等级	IP66
Outpout Resistance 输出电阻	$350 \Omega \pm 3$	Cable Color Code 颜色码	Exc(输入)+:Red(红);Exc(输入) -Black(黑);Sig(输出)+Green(绿); Sig(输出)-:Whit白 Shield Bare(屏蔽)
Element Materia 材质	Aluminum 铝合金		

## 651ES

Special Features  
特征

- ◆ 常温下, 分度值可高达60,000
- ◆ 角差修正
- ◆ 单点式台面
- ◆ IP66防护
- ◆ 综合误差不超过0.006%
- ◆ Up To 60,000 Divisions Short Term Precision At Room Temperature
- ◆ Off-center Load Compensated
- ◆ Single Point Platform
- ◆ IP66 Protection
- ◆ Total Error Better Than 0.0060% Rated Output